

# Mobile Shield WD304

MAVIG



**WD304** Mobile shield for versatile applications with a transparent and height-adjustable lead acrylic panel and additional lower, radiation protective strips

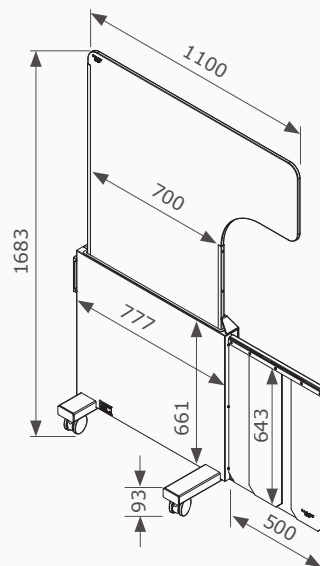
## Radiation Protective Mobile Shield – WD304

### Radiation Protection for Medical Professionals

The adjustable mobile shield with a special contour cut-out can be placed over the body of the patient, effectively reducing secondary radiation emanating from the patient's body.

In addition to the mobile radiation protective shield WD302, the WD304 offers a removable undertable protection consisting of flexible overlapping radiation protective strips with a lead equivalent of 0.50 mm.

- Mobile with smooth electroconductive rolling casters for easy maneuverability
- Appropriate for special applications in interventional radiology
- Height adjustable transparent upper panel: from 135 to 168 cm
- Upper transparent panel made of **lead acrylic** with **Pb 0.50 mm**
- **Lower body part** consists of a steel body with a protection of **Pb 1.00 mm**
- Flexible overlapping radiation **protective strips** with **Pb 0.50 mm**
- Steel body part lacquered in medico-white (RAL 9002)



**MAVIG GmbH**  
X-Ray Protection  
& System Solutions

Stahlgruberring 5  
81829 Munich  
Germany

PO Box 82 03 62  
81803 Munich  
Germany

Phone: +49 (0) 89 420 96 - 0  
Fax: +49 (0) 89 420 96 - 200  
e-Mail: info@mavig.com

[www.mavig.com](http://www.mavig.com)