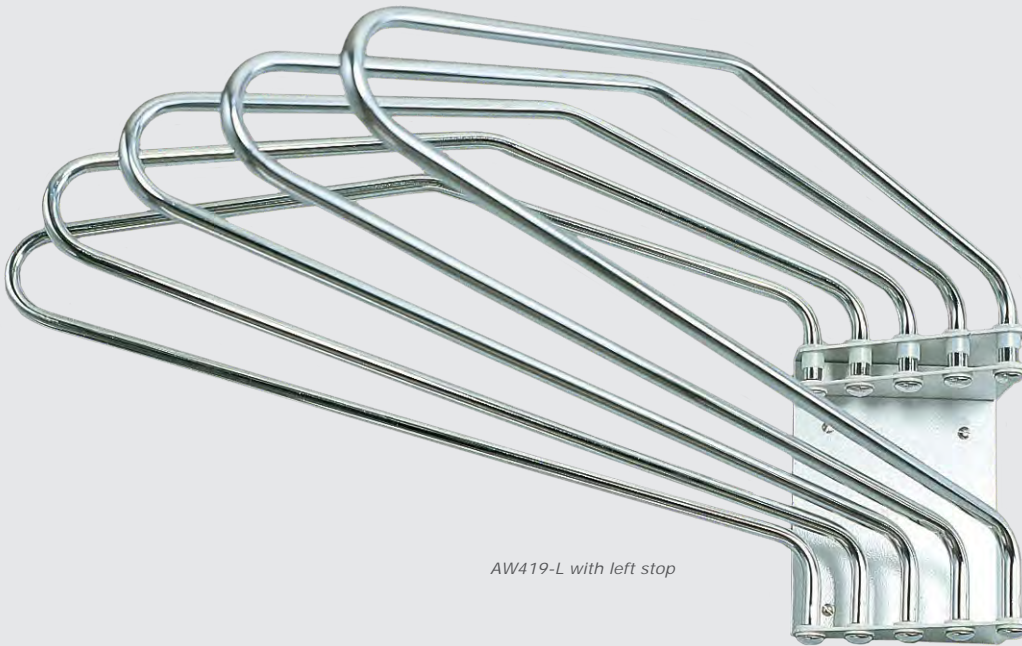
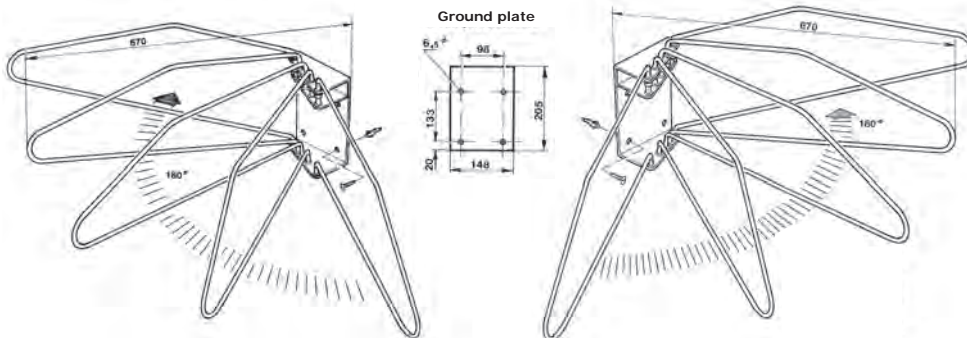


Wall System AW419



AW419-L with left stop



AW419-R with right stop

- AW419-R** Wall system for 5 articles of clothing with right stop
- AW419-L** Wall system for 5 articles of clothing with left stop

Storage System for X-Ray Protective Clothing

The wall system with top marks for user-friendliness and storage space.

The five swivelling chrome hooks offer you a range of operation of 180°. In contrast, when folded parallel to one another against the wall, the hangers again create space for the room.

Do you need a wall system for up to 10 items of clothing which makes optimum use of the space and greatest convenience for the user? Then a combination of the AW419-R and AW419-L systems is ideal.

The base plate form enables the seamless installation of both racks next to one another. Functional metal construction, painted in medico-white (RAL 9002), chromeplated swivel bar.

Technical Data

Weight / Load Capacity	4.3 kg / 70.0 kg (complete)
Max. Capacity	5 X-ray protective aprons /coats / suits
Dimensions / Projection	205 x 148 mm / 670 mm
Colour	Medico-White (RAL 9002)

MAVIG GmbH
X-Ray Protection
& System Solutions

Stahlgruberring 5
81829 Munich
Germany

PO Box 82 03 62
81803 Munich
Germany

Phone: +49 (0) 89 / 420 96 – 0
Fax: +49 (0) 89 / 420 96 – 200
e-Mail: info@mavig.com

www.mavig.com