

Mobile Shield WD257



WD257 Mobile shield for versatile applications with a transparent and height-adjustable lead acrylic panel and a lead equivalent of:
Steel body: 1.00 mm / Lead acrylic panel: 0.50 mm

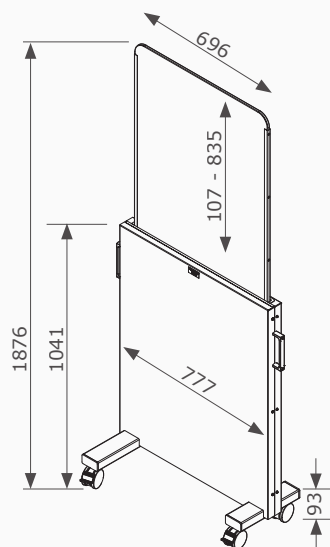
Height-Adjustable Mobile Shield - WD257

The True Allrounder in Radiation Protection

A classic model for multi-modality radiological personal protection. The lead acrylic panel is easily height-adjustable and retracts almost completely within its steel base. The lower shield section is comprised of a steel body with a medico-white (RAL 9002) varnished finish. The base has a Pb value of 1.00 mm and measures 78 cm x 104 cm (WxH).

The upper section consists of a transparent lead acrylic panel with a Pb value of 0.50 mm and 70 cm in width. The shield is adjustable in height from 115 cm (minimum height of the shield) to 188 cm (maximum height of the shield). In both cases, the measurements are from the upper edge of the shield to the floor.

- Mobile with smooth rolling, electroconductive casters for easy maneuverability
- Special base design that requires minimal space yet still provides maximum tip-resistance
- The easily adjustable lead acrylic panel allows for quick patient access while providing radiation protection to healthcare staff in multi-modality imaging environments.



MAVIG GmbH
X-Ray Protection
& System Solutions

Stahlgruberring 5
81829 Munich
Germany

PO Box 82 03 62
81803 Munich
Germany

Phone: +49 (0) 89 420 96 - 0
Fax: +49 (0) 89 420 96 - 200
e-Mail: info@mavig.com

www.mavig.com